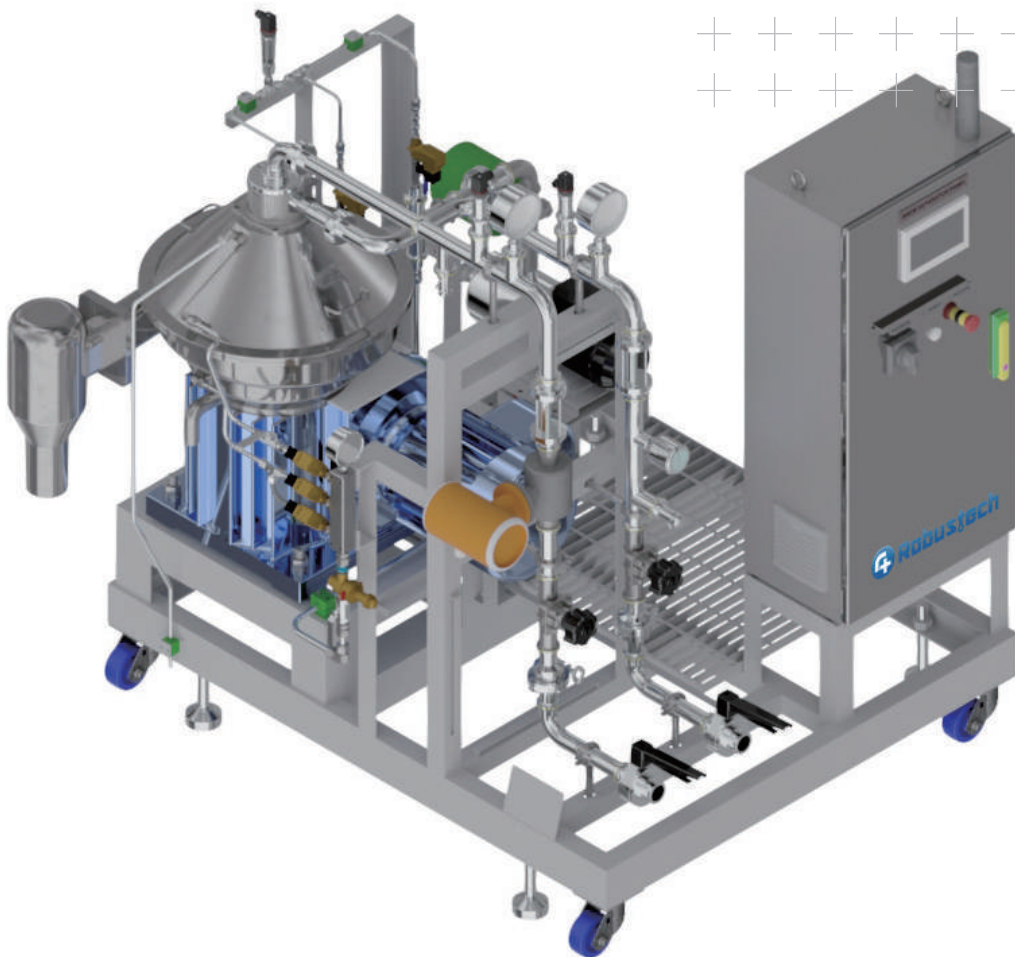




RobusBrewTM
BREW SEPARATOR UNIT

Eng.ver

RobusBrew RT-4000



Robustech Beer Brewing Equipment (RT-4000)

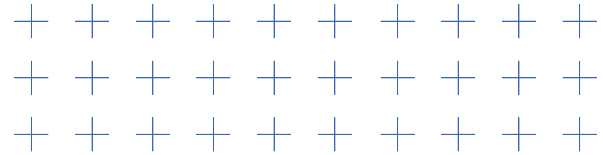
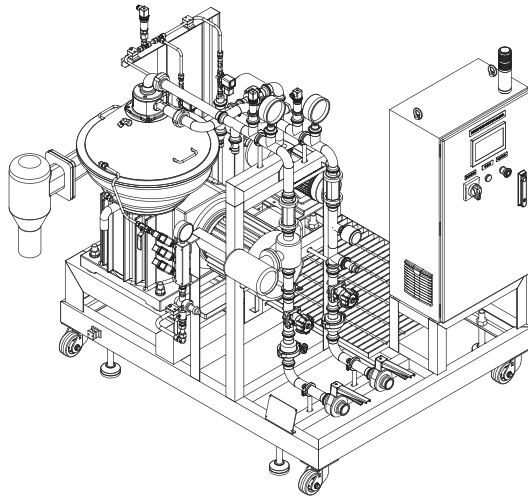
We expect to grow faster homemade beer market in post COVID19, which is continued to grow despite of COVID19.

It is needed to satisfied customer requirements which explosive demand but rising cost of production due to rising material prices is putting more pressure on you.

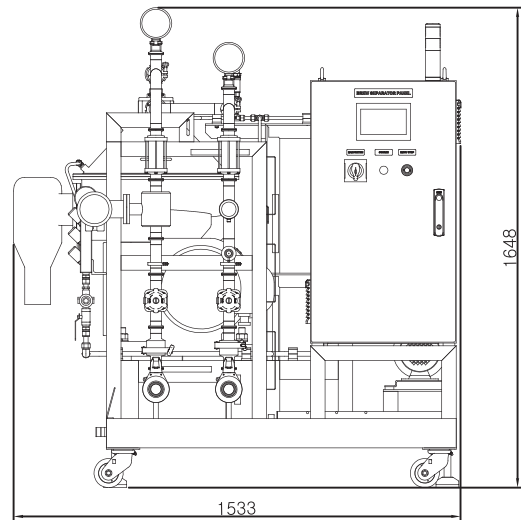
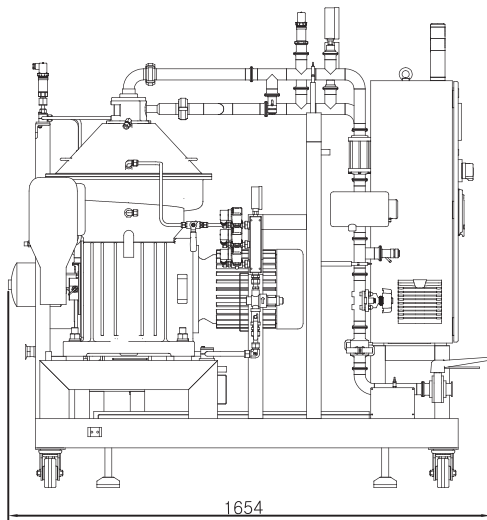
To overcome this situation is reducing production time, increasing production and ensuring quality that are essential not optional.

Robustech's RT-4000 provides the most effective solution to your problems.

RobusBrew RT-4000 Product Specification



RobusBrew RT-4000



RobusBrew RT-4000 Product Specification

▪ General

- Feed brew Temperature : 0°C ~ 10°C
- Ambient Temperature : 0°C ~ 30°C
- brew Outlet delivery head : Max. 2.5bar
- Main supply voltage : 380V or as customer's requirement
- Control voltage : DC24V

▪ Brew Separator

- Speed : 10000rpm
- Treating capacity : Max. 4000L/H
- bowl weight : 65kg
- Material
 - Upper frame : Stainless Steel
 - Lower frame : cast Iron
 - Vertical Shaft : Special Alloy Steel
 - H. Shaft : Carbon Steel
 - Bowl : Special Stainless Steel

▪ Motor

- Type : Totally Enclosed Fan Cooled
- Power : AC380V, 60Hz, 3Φ
- Output : 7.5kW
- Enclosure : IP55
- Insulation : F-class
- Speed : 1775 RPM
- Remarks : Horizontal Flange Mounting Type

▪ Water Pump

- Type : Air diaphragm type
- Capacity : Max. 2000L/H

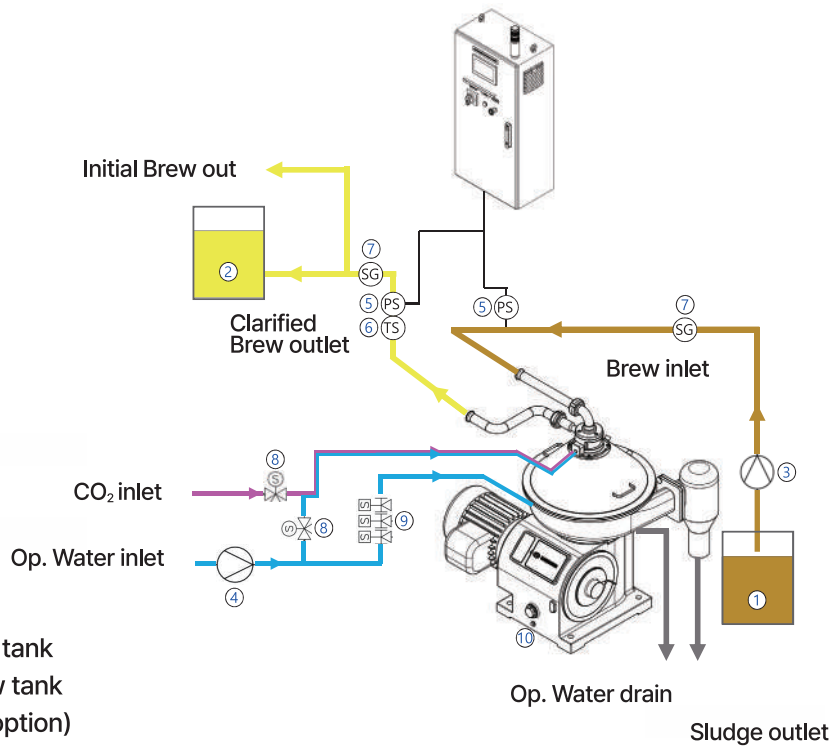
▪ Control Panel

- Type : Wall Mounting Type, Indoor Use
- Enclosure : IP45

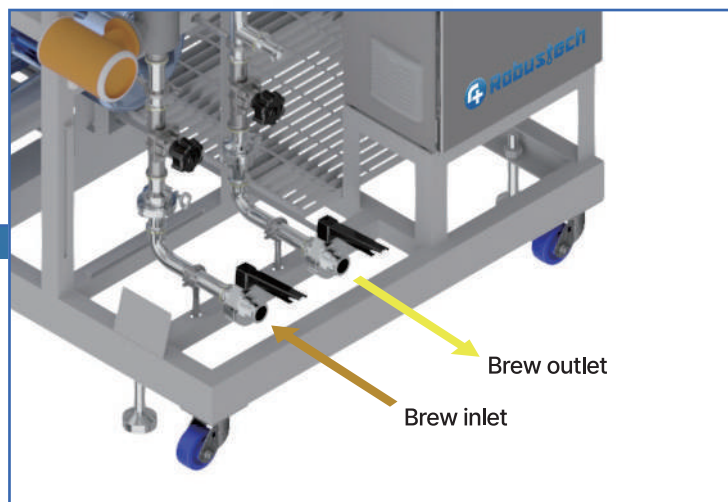
▪ Feed pump(Optional)

- Capacity : Max. 5000L/H
- Head : Delivery 25m
- Remark : Separated type with inverter

RobusBrew RT-4000 Parts and Process of Work

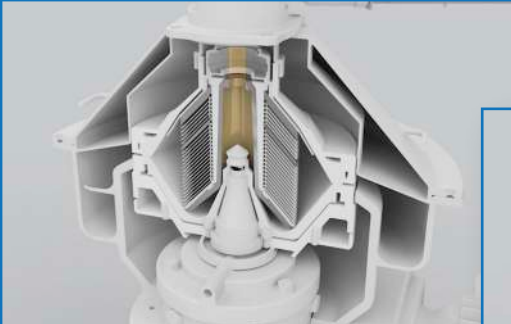
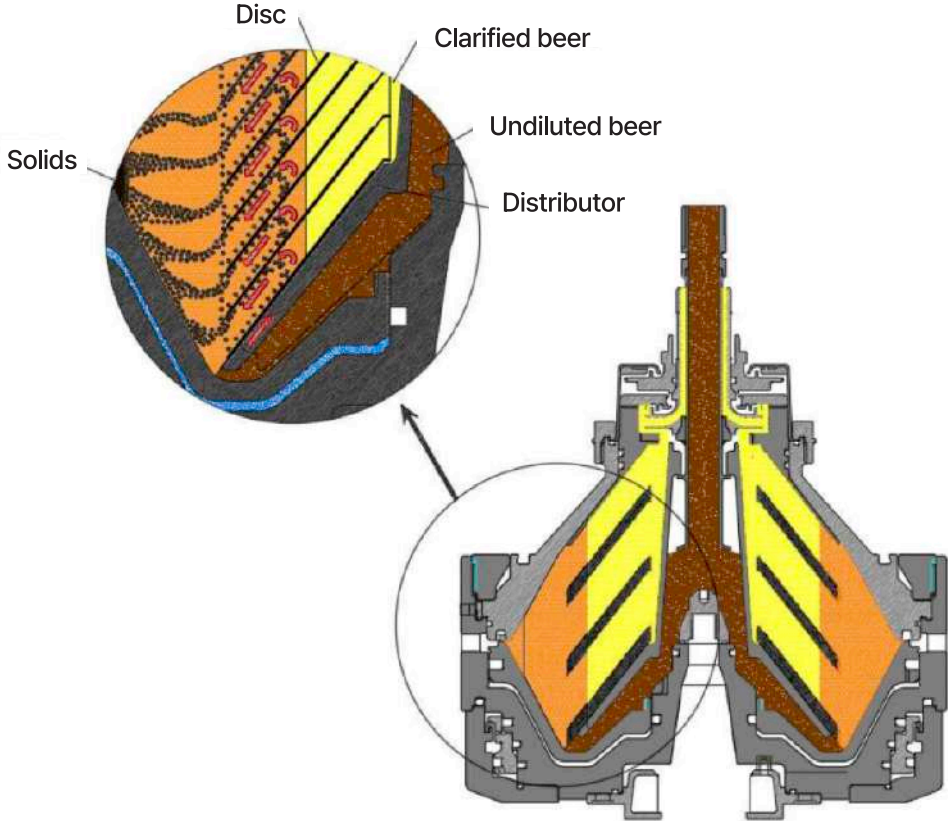


1. Brew settling tank
2. Cleaned brew tank
3. Feed pump (option)
4. Water pump
5. Pressure sensor
6. Turbidity sensor
7. Sight glass
8. 2-way solenoid valve
9. Operating water solenoid unit
10. Brew separator

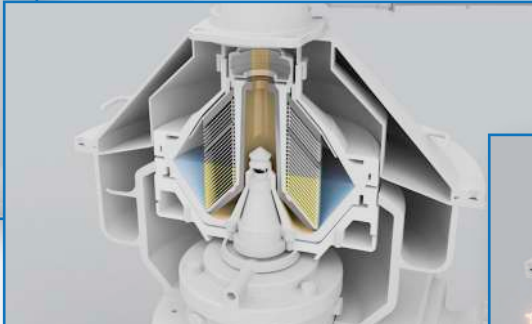


- When the RPM of the centrifuge reaches the appropriate level of filtration work, the beer undiluted of the brew setting tank(①) is supplied to the centrifuge(⑩) by the feed pump(③).
- The centrifugal force of the bowl rotating at high speed inside the centrifuge separates the beer into filtered clean beer and dregs, which are transported through the outlet to the cleaned brew tank(②), which is stacked on the inner wall of the centrifuge and discharged periodically.
- It is alarmed to operator when there is an abnormality in the functions such as pressure, turbidity and RPM by various sensors so that the operator can recognize and operate safely.

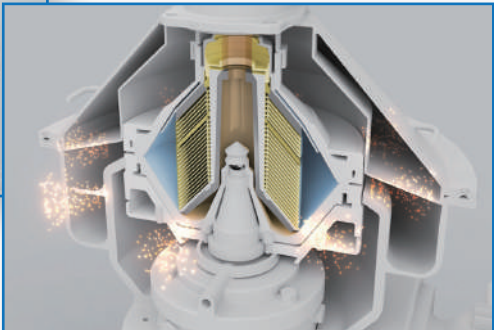
Operating Principles



1. Supply beer undiluted



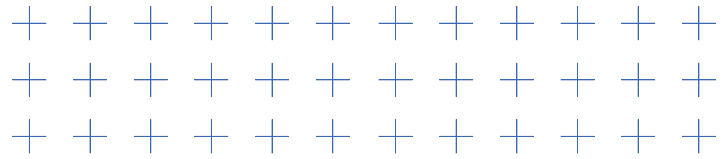
2. Separation of beer and dregs



3. Dregs discharge

- When the beer undiluted is supplied into the centrifuge, heavy substances are pushed down the disc by the high-speed rotating disc and accumulated on the wall inside the centrifuge, and only clean beer with the dregs removed is discharged to the upper exit. The accumulated debris periodically opens the bowl of the centrifuge and discharges it to the outside.

RobusBrew RT-4000 Benefits



Excellent filtration capability

- Robustech's RobusBrew RT-4000 is equipped with a high-performance centrifuge to filter up to 4000 liters of undiluted beer per hour. It can be checked in real time through a turbidity sensor and the flow rate and turbidity can be adjusted through a control valve.

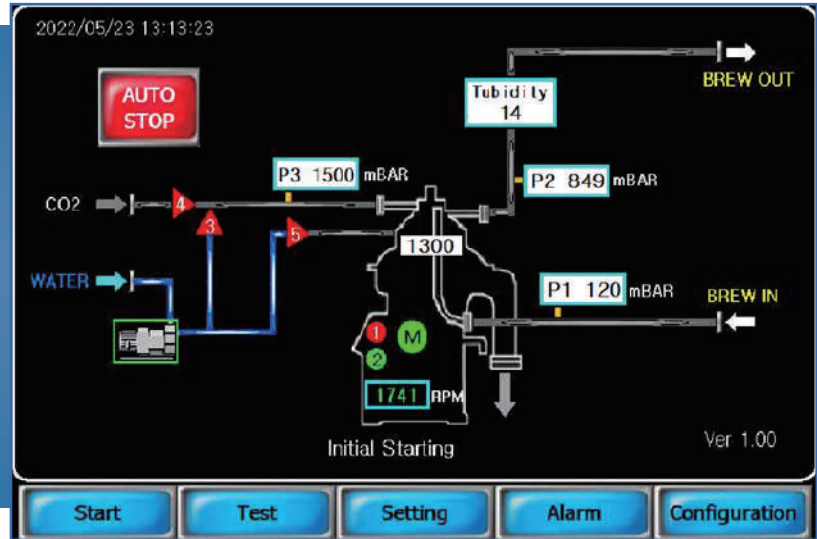


Compact size for space

- Robustech's RobusBrew RT-4000 is designed compact sizes for great space utilization. It can be easily installed and operated not only in new workplaces but also in current breweries.

RobusBrew RT-4000 Benefits

RobusBrew RT-4000's UI



User-friendly interface

- The operator can operate the equipment with a simple touch of the button, and the screen provides a quick view of the current condition of the equipment. If an abnormality is detected in various sensors, an alarm is given to the operator to enable safe operation.

Support and A/S

- RobusBrew RT-4000 is developed with domestic technology, procures key materials such as centrifuges and can travel all over the country on a one-day business trip, so it can provide technical support and A/S of installation.

Performance

- Eightpeople Co.,Ltd. (Namyangju-si, Gyeonggi-do, Republic of Korea)
- 2022 Korea Liquor Awards Winner in the Craft Beer category
- 2023 Korea Liquor Awards Winner in the Craft Beer category





RobusBrew™
BREW SEPARATOR UNIT

Robustech Co., Ltd.

Address : 15, Mieumsandan 2-ro 16beon-gil,
Gangseo-gu, Busan, Republic of Korea

Tel : +82-51-715-7748

Fax : +82-51-715-7749

E-mail : sales@robustech.co.kr

www.robustech.co.kr